



SN™ Series II

SN-15LF



Applications

SN-15LF

The P Audio SN Series II features a wide variety of very high performance to value ratio Neodymium based transducers. The SN-15LF is an excellent example of P Audio's high performance design philosophy. This transducer features a 15 inch (389mm) diameter chassis coupled to a very high energy product Neodymium based permanent magnetic structure. The combination of this high energy product magnetic structure and a die cast aluminum chassis make the SN-15LF a very high output device that also features very low weight. The operating bandwidth of 55Hz to 1500Hz make the SN-15LF an ideal choice for the bass and vocal fundamental range response of a professional two way system design.

The cone material has been optimized for high internal damping and superior time domain performance in the vocal fundamental range. The performance parameters of the SN-15LF have been optimized for use in two way systems such as general purpose sound reinforcement systems where the high frequency response is provided by a high efficiency compression driver and horn.

High power handling is achieved through the use of advanced thermal capacity voice coil adhesives and very high temperature rectangular aluminum edge wound voice coils. When high performance and portability are specified, the SN-15LF is an ideal choice for the bass section of a world class two way design.

Specifications

GENERAL SPECIFICATIONS

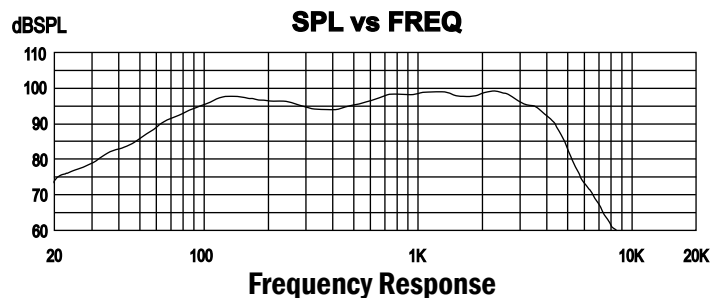
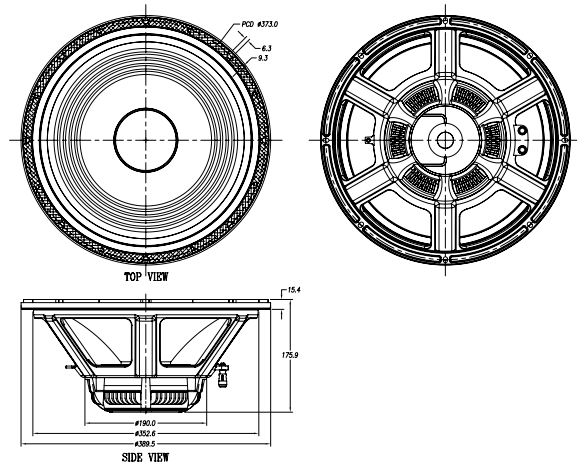
Nominal Impedance	8 Ω
Power	600 Watt (rms)
SPL 1W@1M average sensitivity	98 dB
Frequency Response	55Hz - 1500Hz
Dimension Ø x H (cm)	38.9 x 17.6
Net Weight	4.3 kg (9.5 lbs)
Shipping Weight	5.9 kg (13.0 lbs)
Packing Dimension H x W x D (cm)	42.5 x 42.5 x 20.5 (1.3cu.ft)
	16.7" x 16.7" x 8.1"

PHYSICAL SPECIFICATIONS

Magnet type	Neodymium
Voice Coil Diameter	76.2 mm (3 inch)

THIELE/SMALL PARAMETERS

Resonance Frequency	Fs	54 Hz
DC. Resistance	Re	5.5 Ω
Coil Inductance	Le	0.35 mH
Mechanical Q Factor	Qms	6.92
Electrical Q Factor	Qes	0.58
Total Q Factor	Qts	0.53
BL Product	BL	16.24 Tm
Effective Moving Mass	Mms	80.52 g
Equivalent Cas Air-Load	Vas	114.74 Liters
Effective Piston Area	Sd	0.085 Sqm
Half-Space Efficiency	Eff	3.18 %
Airgap Height	Hag	8.0 mm
Voice Coil Height	Hvc	18.0 mm
Voice Coil Overhang	Xmax	5.0 mm



19/4 Moo 2 T.Bangkratuk A.Samparn Nakornpathom 73210 Thailand
 Tel: +66-2-441-6600 Auto 30 Lines
 e-mail: info@paudiothailand.com
 Website: www.paudiothailand.com
 All rights reserved by P.Audio System Co.,Ltd. 2007

