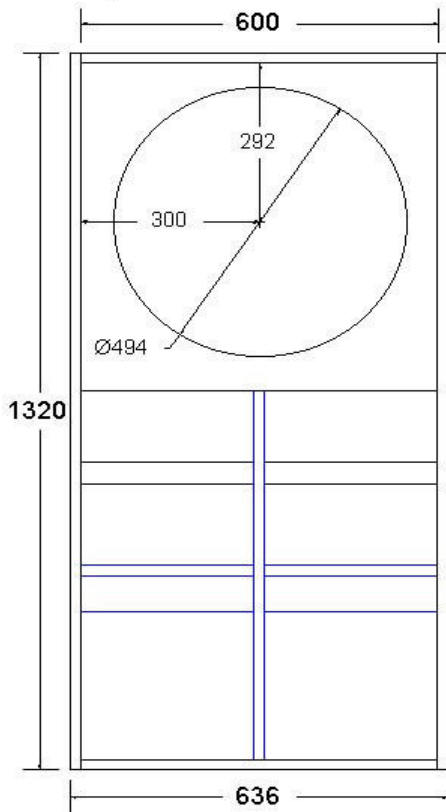
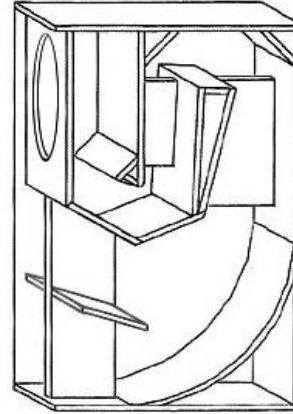


Mogale Super Scooper
21" rear loaded horn

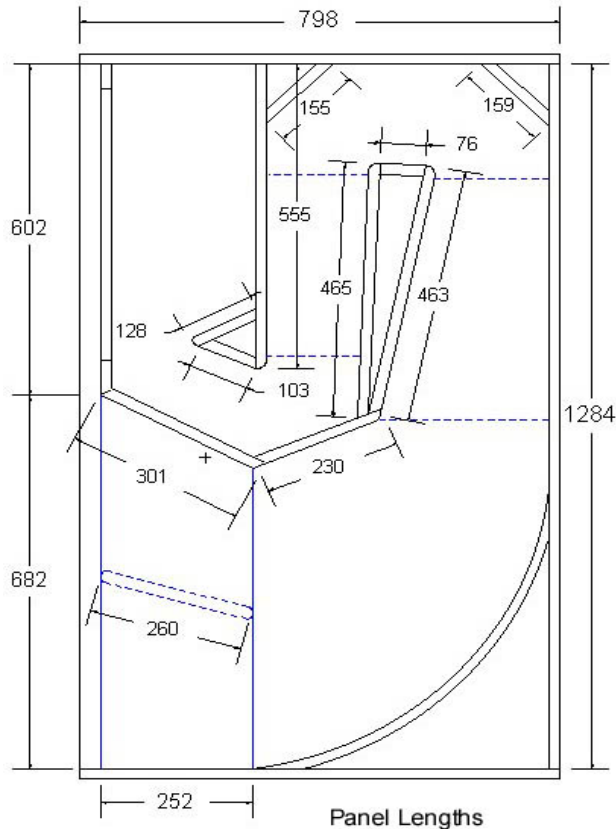


Mogale Super Scooper
21" rear loaded horn

Horn Length 2.44 m
Cutoff 35 Hz

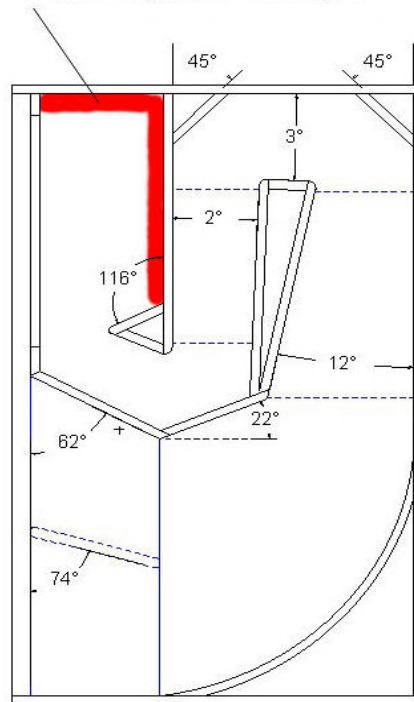
Use in groups of 4 for 28 Hz cutoff

Material :
18 mm Birch Ply with 13 laminates

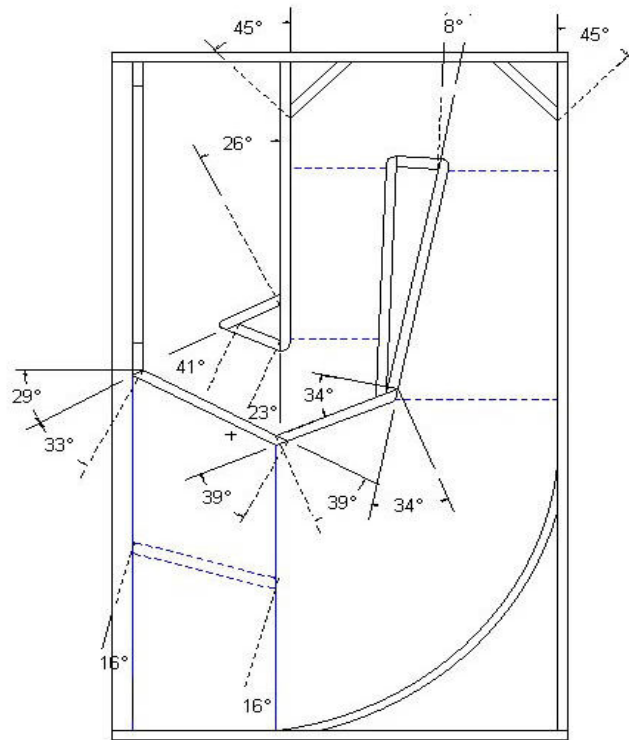


Mogale Super Scooper
21" rear loaded horn

Line chamber where shown with 50 mm of polyester fibre.
That's the white stuff they sell in fabric shops for stuffing duvets with.
Do not use fibreglass as it will break apart.



Mogale Super Scooper
21" rear loaded horn



Mitre Angles

