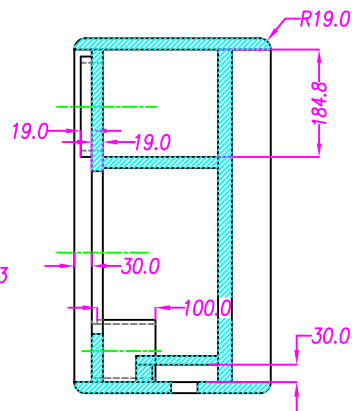
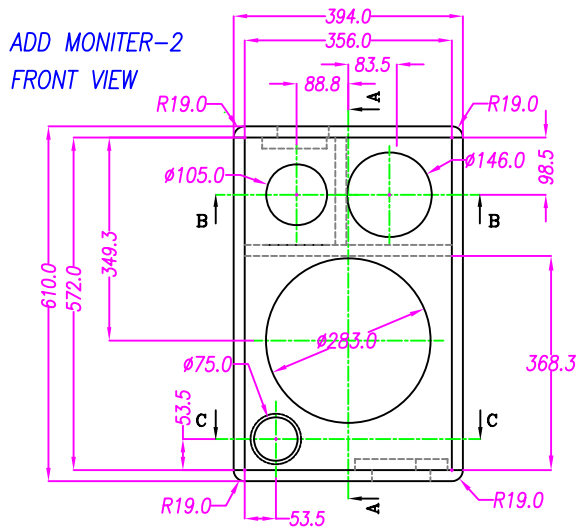
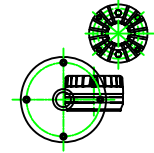
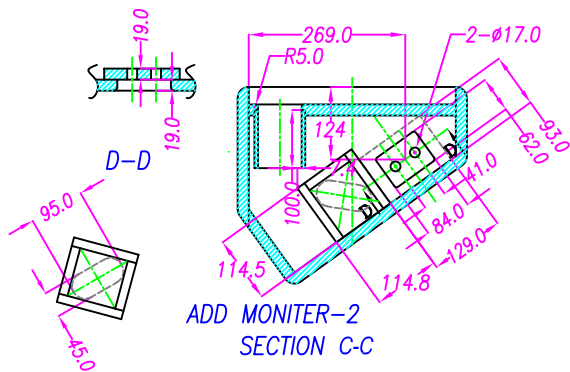


SECTION B-B  
ADD MONITER-2



SECTION A-A  
ADD MONITER-2



ADD MONITER-2  
SECTION C-C