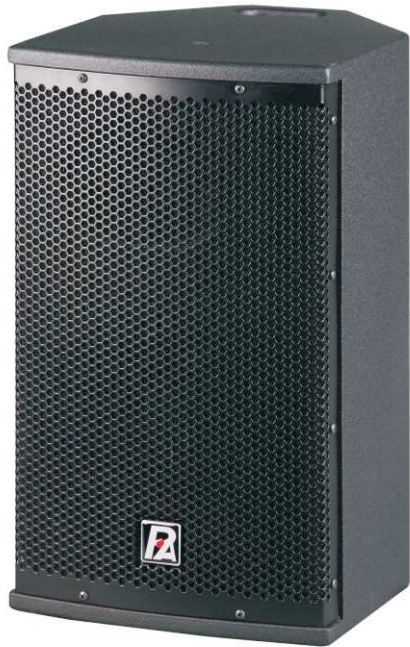


XT-10 TWO WAY PASSIVE FULL RANGE



APPLICATIONS

- Compact Portable Sound Reinforcement
- Small Format Fixed Installation
- High Intelligibility

FEATURES

- 800 Watts Peak Power Handling (400 Watts Program, 200 Watts Continuous)
- High 1 Watt / 1 Meter Sensitivity
- Multiple Rigging Points
- 90 x 65 Elliptic Wave Guide

The P Audio XT-10 is a compact professional sound reinforcement system designed for foreground/background applications. The 10 inch (254mm) low frequency woofer offers extended low frequency response in a very small profile design. The XT-10 is ideal for fixed installation applications such as restaurants, bars, retail outlets and general purpose indoor public address and full range music systems. The 10 inch design provides superior music range performance and extended bandwidth for applications that specify enhanced music content. The design of the XT-10 features a wide bandwidth 10 inch (254mm) low frequency device and a true compression driver coupled to an elliptical wave guide for controlled high frequency dispersion. The rated included angles are 90 degrees by 65 degrees.

The XT-10 is a full range design that employs a high order passive crossover that provides excellent summing and balance for the individual transducer components. The XT-10 features linear amplitude response, very defined intelligibility and superior reliability. The power handling is rated at 200 watts continuous with a peak input power capability of 800 watts. Maximum peak SPL is 123dB. System impedance is rated at 8 ohms.

The enclosure is constructed with high quality plywood and finished in a very durable polyurea coating. The system includes a top hat style stand adaptor and an optional "U" bracket to allow flexible mounting. The XT-10 is a very high performance design that features simple mounting for use in a variety of indoor applications.

XT SERIES

WWW.PAUDIOTHAILAND.COM



XT-10 TWO WAY PASSIVE FULL RANGE



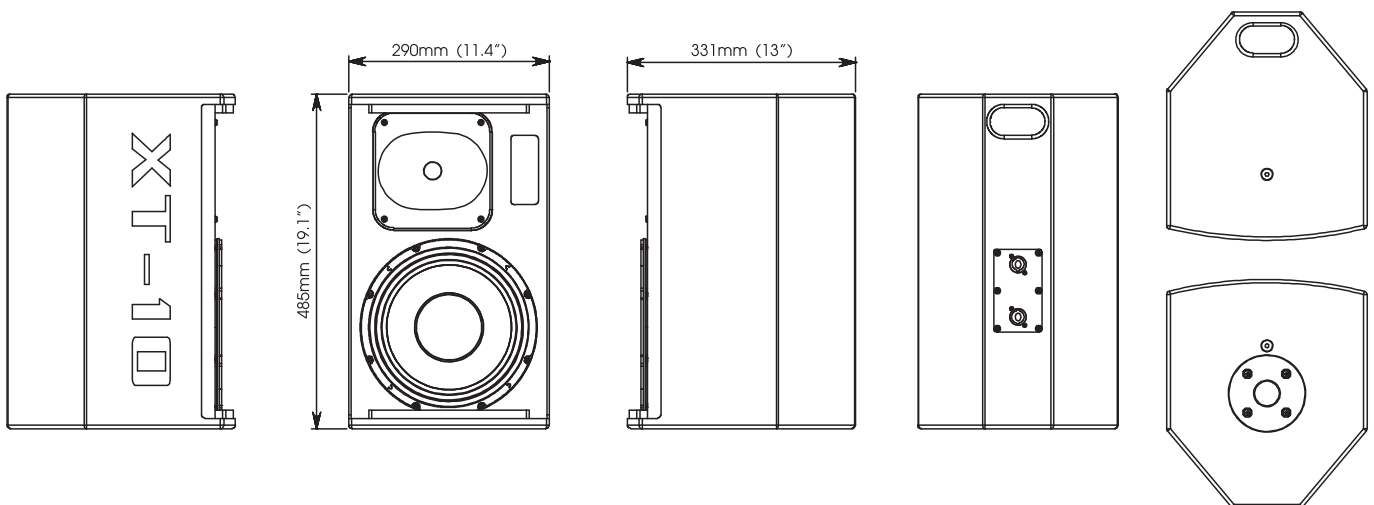
SPECIFICATIONS

Frequency Response (-10dB)	60Hz - 20kHz
Sensitivity (1w/1m)	93dB
Maximum Peak SPL	123dB
Dispersion(H x V)	90° x 65°
LF Components	10" Woofer
HF Components	1" Compression Driver
Input Impedance	8 Ohm
Connections	2 X Speakon Connectors
Power Handling	200w Continuous 400w Program 800w Peak
Net Weight	13 kg / 28.7 lbs
Dimensions (HxWxD)	485 x 290 x 331 (mm) 19.1 x 11.4 x 13 (in)

OPTIONAL ACCESSORIES

- External "U" Bracket
- Standard 35 mm Pole mount to combine with subwoofer

DIMENSIONS



XT SERIES

WWW.PAUDIOTHAILAND.COM

