



SN™ Series II

SN-12MB



Applications

SN-12MB

The SN-12MB has been designed specifically for both direct radiator and horn loaded mid bass applications. This SN Series II design has been optimized for use in the critical 60Hz to 2000Hz vocal range and is an ideal choice for professional level three way designs. A typical 12 inch design must offer both good bandwidth, down to 60Hz, and good efficiency. The SN-12MB has all of its performance designed into the 125Hz and above range. This means that the efficiency can be optimized for this frequency range. High efficiency means that lower electrical power levels are required, thus improving both system reliability and reducing power compression.

The SN 12MB is a 12 inch (314mm) diameter design that employs very high energy product Neodymium magnetics to provide extremely high conversion efficiency. The medium format 3 inch (76.2mm) voice coil design is an edge wound rectangular aluminum design to further maximize efficiency. Because weight is critical for portable systems or flown/suspended designs, the SN-12MB features a die cast aluminum chassis as well as the light weight Neodymium magnet structure. The performance parameters of the SN-12MB are optimized for professional level mid bass designs. If full range designs are specified the SN-12LF should be utilized.

P Audio features state of the art design and manufacturing that insure the SN-12MB will provide very high power handling and reliability in high performance professional applications.

Specifications

GENERAL SPECIFICATIONS

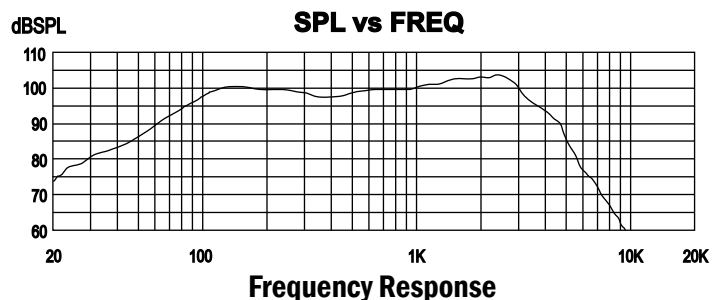
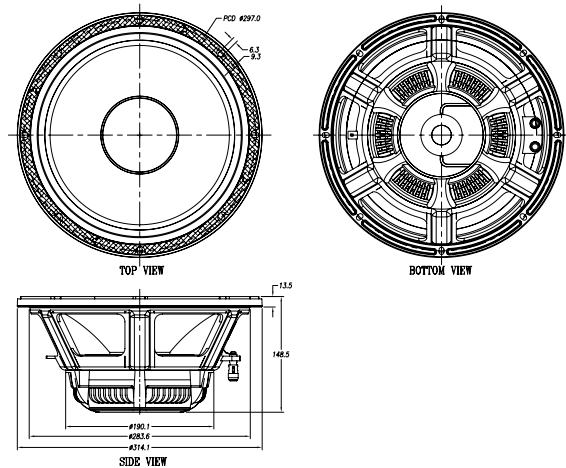
Nominal Impedance	8 Ω
Power	600 Watt (rms)
SPL 1W@1M average sensitivity	100 dB
Frequency Response	60Hz - 2000Hz
Dimension Ø x H (cm)	31.4 x 14.8
Net Weight	3.7 kg (8.1 lbs)
Shipping Weight	4.9 kg (10.9 lbs)
Packing Dimension H x W x D (cm)	34.5 x 34.5 x 18.5 (0.8cu.ft)
	13.6" x 13.6" x 7.3"

PHYSICAL SPECIFICATIONS

Magnet type	Neodymium
Voice Coil Diameter	76.2 mm (3 inch)

THIELE/SMALL PARAMETERS

Resonance Frequency	Fs	62 Hz
DC Resistance	Re	5.2 Ω
Coil Inductance	Le	0.33 mH
Mechanical Q Factor	Qms	6.70
Electrical Q Factor	Qes	0.44
Total Q Factor	Qts	0.41
BL Product	BL	17.00 Tm
Effective Moving Mass	Mms	63.36 g
Equivalent Cas Air-Load	Vas	43.64 Liters
Effective Piston Area	Sd	0.055 Sqm
Half-Space Efficiency	Eff	2.22 %
Airgap Height	Hag	8.0 mm
Voice Coil Height	Hvc	18.0 mm
Voice Coil Overhang	Xmax	5.0 mm



19/4 Moo 2 T.Bangkratok A.Samparn Nakornpathom 73210 Thailand
 Tel: +66-2-441-6600 Auto 30 Lines
 e-mail: info@paudiothailand.com
 Website: www.paudiothailand.com
 All rights reserved by P.Audio System Co.,Ltd. 2007

