

Ferrite Magnet Compression Driver



Specifications

General Specifications

Power rating.....	30 W(AES)
Nominal impedance.....	8Ω
Sensitivity.....	103 dB
Frequency range.....	1200-20000 Hz
Recommended min. crossover (12dB/oct).....	1800 Hz
Voice coil diameter.....	34.4mm/1.35 in
Voice coil material.....	AL-R
Magnet type.....	Ferrite
Diaphragm and surround material	Titanium
Net Weight.....	1.0 kg/2.2 lb
Packing Dimension WxDxH(mm)...	300mm x385mm x230mm
Shipping Weight (30 Pcs).....	30 kg/66.2 lb

Features

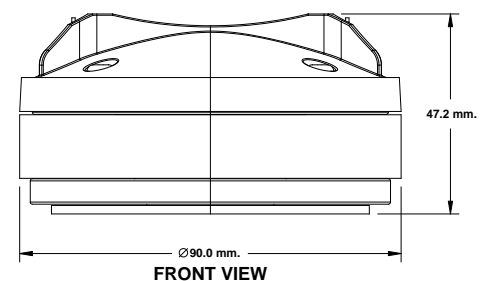
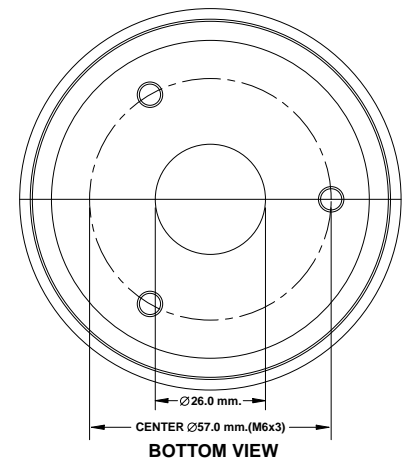
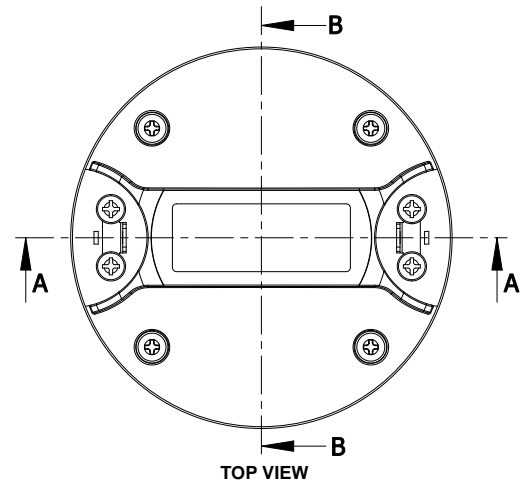
- Small Format Wide Bandwidth Compression Driver
- 1" Exit Diameter
- 120 Watts Peak Power Handling
- Pure Titanium Based 1.35" Diaphragm Diameter
- Bolt On Mounting
- Ferrite Magnetics

Applications

The P Audio SD-34BF is a medium format compression driver that utilizes a precision formed diaphragm assembly. The diaphragm is precision formed to insure excellent consistency and performance. The diaphragm assembly is close spaced to a precision phase plug to insure excellent acoustic loading. The SD-34BF has an operating range of 1200Hz to 20000Hz and is ideally suited for two way and three way high frequency applications in professional sound reinforcement systems.

The SD-34BF is a ferrite based magnetic system with an industry standard 1 inch (25.4mm) exit diameter. The mounting configuration is a standard "bolt on" style. P Audio offers a wide variety high frequency horns that will provide excellent pattern control and acoustic loading for the SD-34BF.

The diaphragm assembly is a 1.35 inch (34.4mm) diameter commercially pure titanium design and utilizes P Audio's very high temperature adhesive systems and precision manufacturing to insure high power handling and reliability. The construction yields a full 30 watts of power handling capacity. The larger diaphragm diameter (1.35 inch) provides superior mid band response and is an excellent choice for medium power sound reinforcement systems.



Frequency Response and Impedance Curves

