



General Specification

Throat diameter	25.4 mm / 1 in
Peak Power	120 W
AES Power	30 W
Nominal impedance	8 Ohm
Sensitivity (1W/1m)	107 dB
Frequency range	1500 - 20000 Hz
Recommended min.crossover(12dB/oct)	1800 Hz
Magnet type	Neodymium
Diaphragm material	Titanium
Surround material	Mylar
Voice coil diameter	34.4 mm / 1.35 in
Voice coil material	AL-R
Mounting type	Bolt On
Overall diameter	90 mm / 3.5 in
Mounting hole diameter	4xM6 PCD 76.2 mm
Unit weight	0.8 kg / 1.8 lb
Shipping weight (12 pcs)	12.1 kg / 26.7 lb
Packaging dimension WxDxH	262x275x85 mm 10.3x10.8x3.4 in

Features

- Small Format Wide Bandwidth Compression Driver
- 1" Exit Diameter
- 120 Watts Peak Power Handling
- Titanium dome, Mylar Surround
- Bolt On Mounting

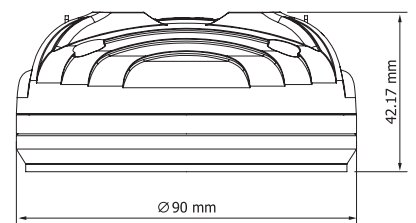
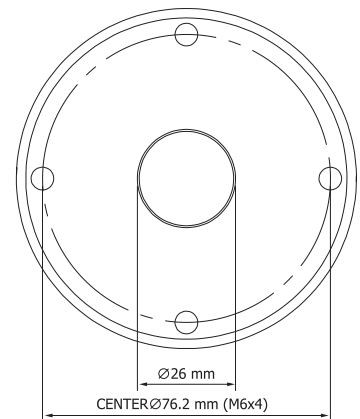
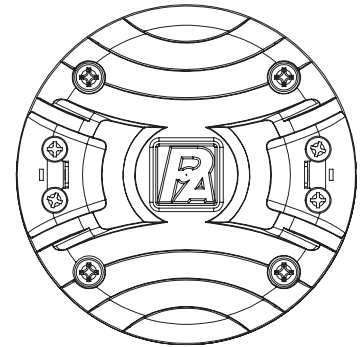
Applications

The P Audio SC3-N is a very high performance small format compression driver with enhanced time domain response. The SC3-F features an optimized geometry PET suspension coupled to a titanium dome. The diaphragm assembly is a nominal 1.35 inch (34mm) diameter. The exit diameter is an industry standard 1 inch (25.4mm) diameter. The driver features a finite element optimized Neodymium magnetic assembly that provides extended high frequency response and bandwidth. The high magnetic energy insures elevated thermal reliability and reduced high frequency power compression as well as extended high frequency content.

The PET suspension material offers both excellent amplitude response characteristics and superior time domain response. The result is substantially improved clarity thru the upper vocal range. The rated bandwidth is 1500Hz to 20kHz. The minimum recommended crossover frequency 1800Hz.

The SC3-N utilizes a colloidal suspension in the magnetic gap to substantially improve system time domain response. The result is superior mid band intelligibility and improved reliability.

The SC3-N is rated at 1200 watts of peak power handling (30 watts continuous) and includes standard bolt on mounting. The SC3-N is compatible with many P Audio high frequency horns as well as commonly available horns. The SC3-N is an excellent high frequency driver for high performance two way and three way sound reinforcement systems.



Frequency Response and Impedance Curve

