



# HORN SERIES

# SC-1464

HF Horn 1.4 inch



### General Specification

|                                      |                                    |
|--------------------------------------|------------------------------------|
| Throat diameter                      | 36 mm / 1.4 in                     |
| Nominal coverage angle (H° x V°)-6dB | 60° x 40°                          |
| Cut off frequency                    | 800 Hz                             |
| Mounting type                        | Bolt on                            |
| Material                             | Injection polymer A.B.S            |
| Unit weight                          | 1.0 kg / 2.2 lb                    |
| Shipping weight                      | 1.5 kg / 3.3 lb                    |
| Packaging dimension WxDxH            | 280x280x160 mm<br>11.0x11.0x6.3 in |

### Mounting Information

|                          |                   |
|--------------------------|-------------------|
| Mounting dimensions      |                   |
| Rear height              | 236 mm / 9.29 in  |
| Rear width               | 236 mm / 9.29 in  |
| Overall dimensions       |                   |
| Mount height             | 270 mm / 10.63 in |
| Mount width              | 270 mm / 10.63 in |
| depth                    | 135 mm / 5.31 in  |
| Baffle cutout dimensions |                   |
| Height                   | 238 mm / 9.37 in  |
| Width                    | 238 mm / 9.37 in  |

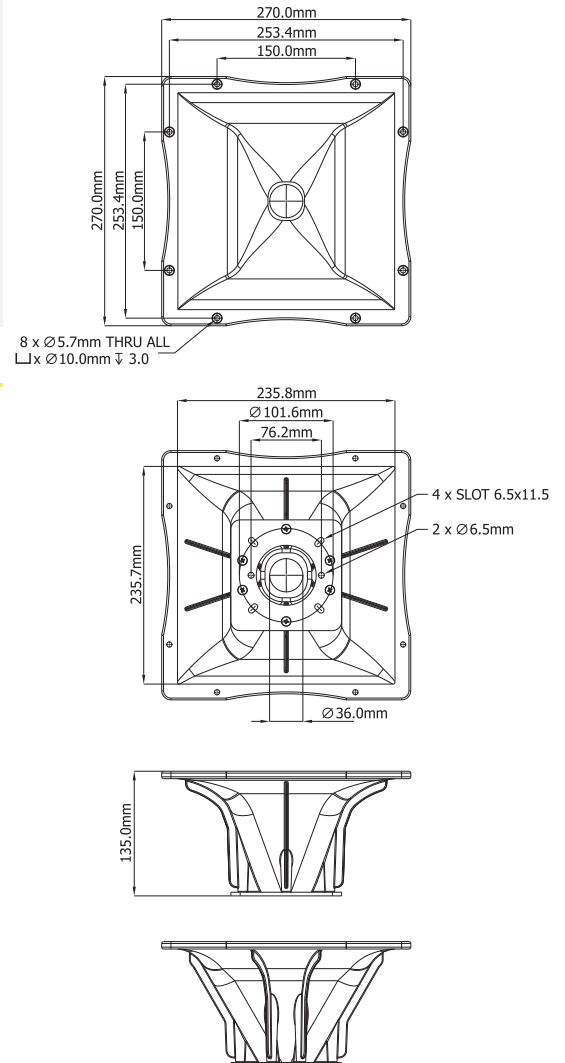
### Applications

The P Audio SC-1464 is a wide bandwidth constant directivity waveguide designed for use in very high performance sound reinforcement system designs. The SC-1464 is a fully rotatable horn and features a very controlled 60 degree by 40 degree included angle radiation pattern. The design features a flat front geometry with scalloped edges that allow the SC-1464 to fit closely to the associated low frequency transducer. This feature can produce very compact enclosure designs.

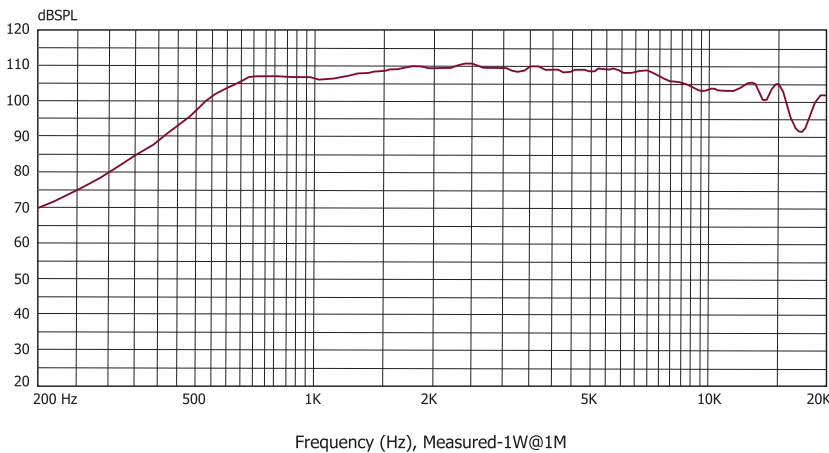
The SC-1464 is an industry standard 1.4 inch (35.56mm) throat design and includes a bolt on style mounting flange. This standard throat diameter allows for a wide variety on compression driver to be used with the horn. The P Audio SC drivers that feature a 1.4 inch exit diameter are excellent companion products for the 1.4 inch SC horns.

The low frequency flare limit of 800Hz allows the SC-1464 to be used with a wide variety of low frequency devices. A minimum crossover frequency of 1200 Hz is recommended for low distortion and high reliability performance in professional applications.

The SC-1464 is an injection molded design featuring thick cross sections of very high strength glass filled ABS. The SC-1464 is an ideal choice for high performance professional sound reinforcement and public address system designs when medium to long throw requirements are specified.



### Frequency Response Curve



\* Response of horn with SD-75BN