



Features

- 3" Voice Coil
- 1600 Watts Peak Power Handling
- Ferrite Magnetics
- Precision Circular Copper Wire
- Die Cast Aluminum Chassis

Applications

The P Audio Pro15-400 is a high output low frequency transducer. The Pro15-400 is an upgraded design that features many of P.Audio's new technologies and performance upgrades. The 15 inch (381mm) diameter piston will produce extremely high sound pressure levels at very low frequencies and is ideal for high level deep bass and sub woofer response in both live sound and recorded music venues. The operating bandwidth of the Pro-400 is 30Hz to 2500Hz. The transducer uses high energy ferrite magnetics to achieve a very high acoustic output to weight ratio.

The Pro15-400 employs a medium format 3 inch (76.2mm) diameter voice coil that provides an AES rated 400 watts of continuous power handling and a full 1600 watts of peak rated power handling when sufficient amplifier headroom is available.

The voice coil design is a bobbin wound geometry with P.Audio's precision round wire technology to maximize system conversion efficiency. The suspension has been designed specifically for high linear displacement and extended low frequency response. The transducer chassis is a die-cast design that insures a very high degree of structural integrity.

Specifications

General Specifications

Nominal diameter.....	381 mm/15 in
Power rating.....	400 W(AES)
Nominal impedance.....	8Ω
Sensitivity.....	98 dB
Frequency range.....	30-2500 Hz
Chassis type.....	Cast aluminum
Magnet type.....	Ferrite
Magnet weight.....	81.4 oz
Voice coil diameter.....	76.2 mm/3 in
Coil material.....	SV-R
Cone material.....	Paper
Surround material.....	Cloth
X-max.....	3.5 mm
Gap depth.....	10 mm

Thiele Small Parameters

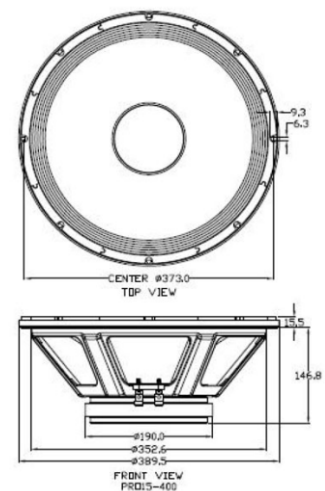
FS.....	41 Hz
Re.....	5.7Ω
Qms.....	7.14
Qes.....	0.28
Qts.....	0.27
Mms.....	91.37 g
Mmd.....	76.32 g
Vas.....	180.49 lt
Sd.....	881.41 cm ²
Bl.....	21.93 Tm
Cms.....	1.7e-04 m/N
Rms.....	3.3 Ns/m
Le (at 1kHz).....	0.967 mH

Packing Dimensions

WxDxH (mm).....	415 x 415 x 210
-----------------	-----------------

Weight

Net Weight.....	8.0 kg
Shipping Weight.....	9.4 kg



Frequency Response & Impedance Curve

