



Specifications

Cut Off Frequency (Hz.)	1000Hz
Throat Diameter	35.5 mm (1.4")
Mounting Type	BOLT ON
Construction	Die cast Aluminium

OVERALL DIMENSIONS :

Mount Height :	190mm (7.48")
Mount Width :	120mm (4.72")
Length :	166mm (6.54")
Net Weight :	1.50kg (3.30 lbs)
Shipping Weight :	1.80kg (3.96lbs)
Packing Dimension :	130mm x 200mm x 195mm 5.1" x 7.9" x 7.7"

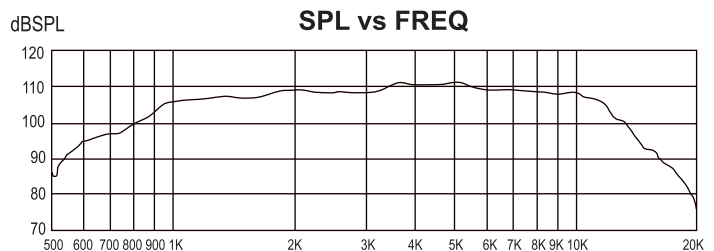
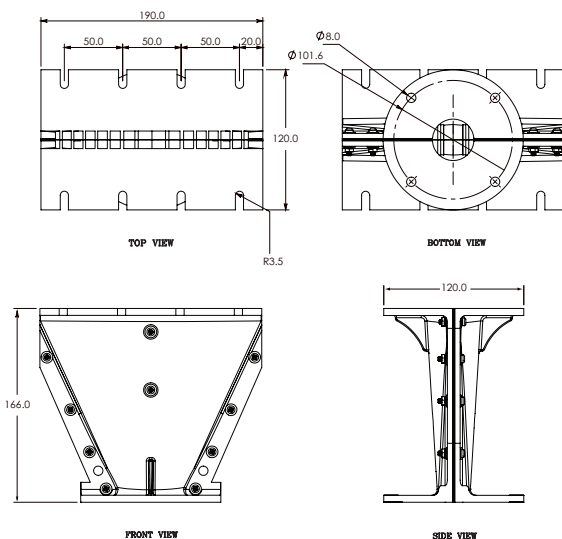
Applications

PH-CL35 HIGH FREQUENCY HORN

The P Audio PH-CL35 (Converging Lens) is a high frequency wave guide designed for use in line array sound reinforcement systems or whenever planar wave-fronts are required. The PH-CL35 is ideally mated to the P Audio BM-D Series and PreNeo Series professional compression drivers that feature 1.4" exit diameters. The PH-CL35 is also designed to couple to any industry standard 1.4" (35.5mm) exit compression driver. The PH-CL35 will accommodate compression driver major outside diameters up to 170mm (6.69") and will allow vertical stacking of multiple PH-CL35 wave guides while still maintaining excellent wavelength spacing.

The PH-CL35 is a converging acoustic lens design that achieves excellent time coherence over the entire front of the wave guide "mouth". This converging acoustic lens design acts to convert the naturally diverging spherical wave front found in typical wave guides to a more planar, time coherent wave front suitable for use in large format or arrayed linear geometry loudspeaker system designs. The physical design of the horizontal exit width allows for the addition of customer configured horizontal radiation control boundaries of up to 120 degrees. The addition of simple mounting holes in the front flanges allow the customer supplied control boundary (horn) to be easily mounted to the PH-CL35. The recommended low frequency limit of the device is 1000 Hz. Although the flare rate of the device is a lower frequency, 1000Hz. is recommended to provide both good loading and reliability to the selected compression driver.

The PH-CL35 is a rugged die cast aluminum design that will accommodate both light weight neodymium based compression drivers as well as large diameter ferrite based drivers. The PH-CL35 is an excellent high frequency addition for conventional two way and three way single enclosure designs and can be easily combined to all the use of two large format 1.4" compression drivers in a single larger three way professional audio line array design.



Response of horn with SD-740N

19/4 Moo 2 T.Bangkratuk A. Samparn Nakornpathom 73210 Thailand
 Tel: +66-2-441-6600 Auto 30 Lines
 e-mail: info@paudiothailand.com
 Web site: www.paudiothailand.com
 All rights reserved by P.Audio System Co., Ltd. 2007

