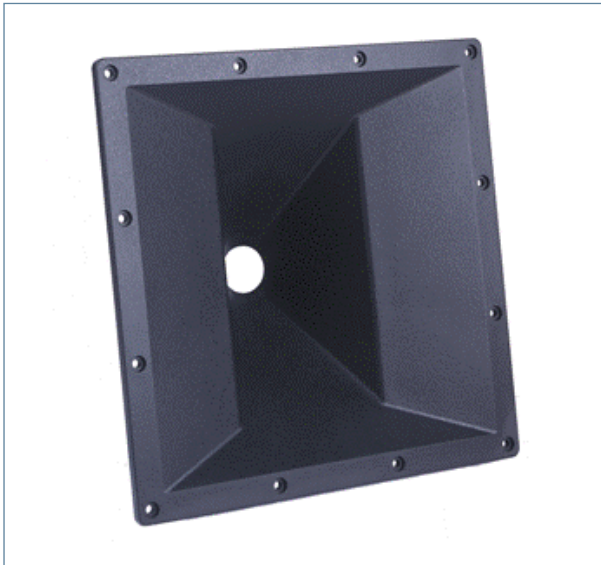




# High Frequency Horn

# PH-94



## Specifications

Nominal Coverage Angle ( H° X V°) - 6 dB.	90° x 40°
Cut Off Frequency ( Hz.)	400 Hz
Throat Diameter	35.5mm (1.4")
Mounting Type	BOLT ON
Construction	Injected Polymer A.B.S.with glass fiber filled Black Polycarbonate

### MOUNTING DIMENSIONS :

Rear Height :	282mm (11.10")
Rear Width :	278mm ( 10.94")

### OVERALL DIMENSIONS :

Mount Height :	315mm (12.40")
Mount Width :	315mm (12.40")
Length :	120mm (4.72")

### BAFFLE CUTOOUT DIMENSIONS :

Height :	284mm (11.18")
Width :	280mm (11.02")
Net Weight :	1.30kg (2.86 lbs)
Shipping Weight :	1.70kg (3.74 lbs)
Packing Dimension :	335 mm x 335 mm x 150 mm 13.2" x 13.2" x 5.9"

## Applications

### PH-94 HIGH FREQUENCY HORN

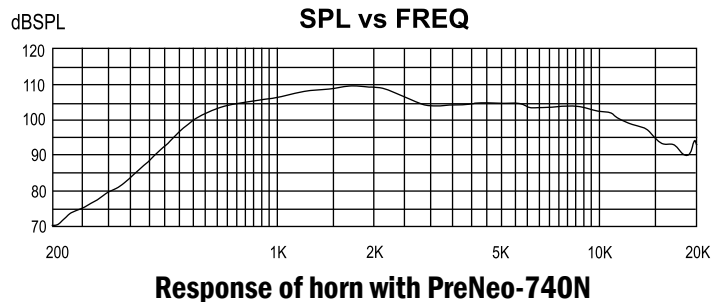
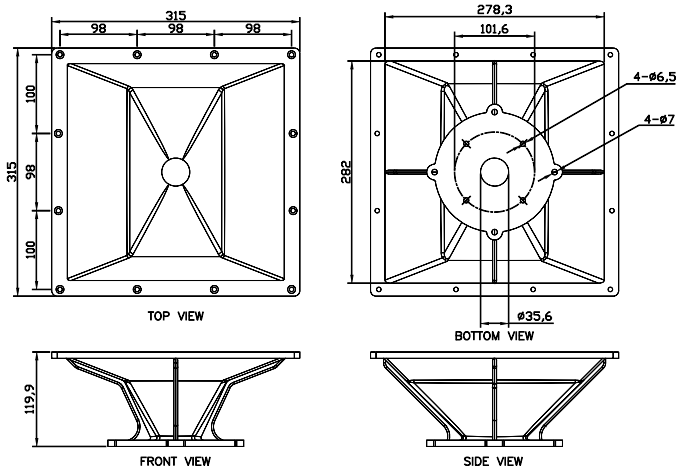
The P Audio PH-94 is a wide bandwidth high frequency horn. The PH-94 is a constant directivity design that features a square mouth that allows a "rotatable" directivity configuration. The PH-94 may be rotated between a 90 degree horizontal and 40 degree vertical pattern to a 40 degree horizontal by 90 degree vertical coverage pattern. The flat front design allows the PH-94 to be used in modern professional sound reinforcement systems where a flat front system geometry is specified. The included angles of 90 degrees and 40 degrees make the PH-94 a very high performance short throw high frequency wave guide. This makes the PH-94 ideal for wide coverage requirements as well as for down fill applications.

The PH-94 features a 1.4 inch (35.5mm) diameter throat and is compatible with many of P Audio's PreNeo and BM-D series high performance compression drivers. The 1.4 inch throat geometry is an industry standard and this makes the PH-94 compatible with many other compression drivers as well. This throat geometry also provides for controlled beamwidths at higher frequencies as well. The medium format mouth area provides excellent acoustic loading to below 1000Hz, making the PH-94 ideal for wide range and low frequency crossover points.

The PH-94 construction is a rugged glass filled ABS and is fully braced to provide excellent structural support to the mated compression driver. The horn mouth dimensions of 12 inches (315 mm) by 12 inches make the PH-94 an ideal mate for both 12 inches low frequency woofers as well as 15 in woofers. The PH-94 is an ideal choice for professional level two way system designs.

The PH-94 may be used with the following P.audio professional compression drivers. ( or any industry standard compatible driver )

- BM-D740
- PreNeo-740N



19/4 Moo 2 T.Bangkratuk A. Samparn Nakornpathom 73210 Thailand  
 Tel: +66-2-441-6600 Auto 30 Lines  
 e-mail: info@paudiothailand.com  
 Web site: www.paudiothailand.com  
 All rights reserved by P.Audio System Co., Ltd. 2007

