



High Frequency Horn PH-642

Applications

PH-642 HIGH FREQUENCY HORN

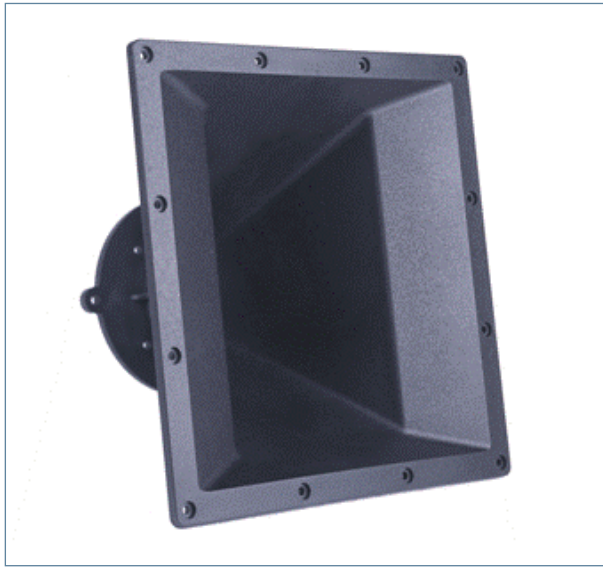
The P Audio PH-642 is a wide bandwidth high frequency horn. The PH-642 is a constant directivity design that features a square mouth that allows a "rotatable" directivity configuration. The PH-642 may be rotated between a 60 degree horizontal and 40 degree vertical pattern to a 40 degree horizontal by 60 degree vertical coverage pattern. The flat front design allows the PH-642 to be used in modern professional sound reinforcement systems where a flat front system geometry is specified. The included angles of 60 degree and 40 degree make the PH-642 a very high performance medium to long throw high frequency wave guide.

The PH-642 features a 2 inch (50.0mm) diameter throat and is compatible with many of P Audio's PreNeo and BM-D series high performance compression drivers. The 2 inch throat geometry is an industry standard and this makes the PH-642 compatible with many other compression drivers as well. This throat geometry also provides for controlled beamwidths at higher frequencies as well. The medium format mouth area provides excellent acoustic loading to below 1000Hz, making the PH-642 ideal for wide range and low frequency crossover points.

The PH-642 construction is a rugged glass filled ABS and is fully braced to provide excellent structural support to the mated compression driver. The horn mouth dimensions of 12 inches (315 mm) by 12 inches make the PH-642 an ideal mate for both 12 inch low frequency woofers as well as 15 in woofers. The PH-642 is an ideal choice for professional level two way system designs where medium to long throw is required.

The PH-642 may be used with the following P.audio professional compression drivers. (or any industry standard compatible driver)

- BM-D750
- PreNeo-750N



Specifications

Nominal Coverage Angle (H° X V°) - 6 dB.	60° x 40°
Cut Off Frequency (Hz.)	400 Hz
Throat Diameter	50.0mm (2")
Mounting Type	BOLT ON
Construction	Injected Polymer A.B.S with glass fiber filled Black Polycarbonate

MOUNTING DIMENSIONS :

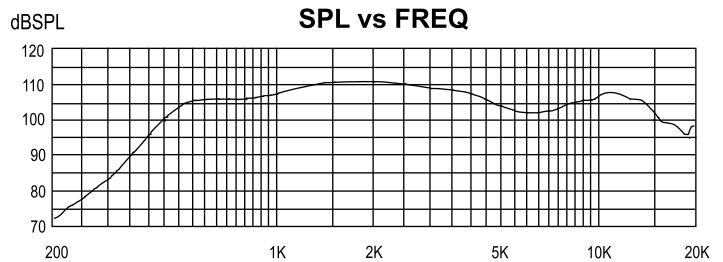
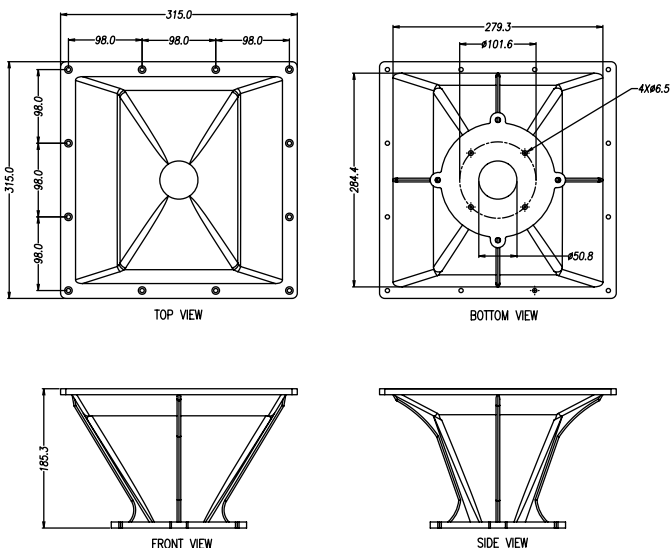
Rear Height :	279mm (10.98")
Rear Width :	284mm (11.18")

OVERALL DIMENSIONS :

Mount Height :	315mm (12.40")
Mount Width :	315mm (12.40")
Length :	185mm (7.28")

BAFFLE CUTOOUT DIMENSIONS :

Height :	281mm (11.06")
Width :	286mm (11.25")
Net Weight :	1.55kg (3.41 lbs)
Shipping Weight :	2.1kg (4.62 lbs)
Packing Dimension :	335mm x 335mm x 215mm (13.18" x 13.18" x 8.46")



Response of horn with BM-D750

19/4 Moo 2 T.Bangkratuk A. Samparn Nakornpathom 73210 Thailand
 Tel: +66-2-441-6600 Auto 30 Lines
 e-mail: info@paudiothailand.com
 Web site: www.paudiothailand.com
 All rights reserved by P.Audio System Co., Ltd. 2007

