

## Applications

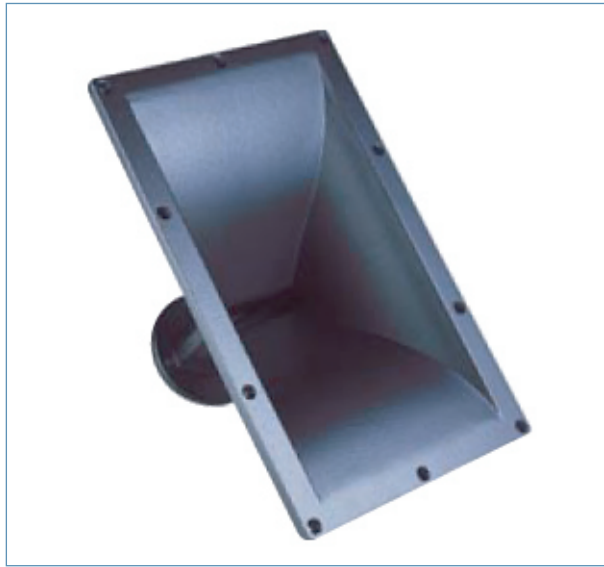
### PH-2380 HIGH FREQUENCY HORN

The P Audio PH-2380 is a 2 inch ( 50 mm ) throat high frequency horn. The PH-2380 is a horizontal format horn with a 17.5 inch (443mm) wide by 11 inch (280mm) mouth. This large horn mouth insures excellent pattern control down to below 1000Hz. The rated horizontal coverage angle is 90 degree and the vertical coverage is 40 degree . This set of included angles makes the PH-2380 an excellent choice for two way sound reinforcement systems. The 2 inch throat diameter is an industry standard that is designed to mate to many of the P Audio PreNeo and BMD professional compression drivers.

The PH-2380 is constructed of very high impact ABS with a glass filling to insure additional stability and structural rigidity. The large throat diameter makes the PH-2380 an ideal device for reproduction of low distortion vocal material and general mid band program material. Excellent acoustic loading allow the horn to be used to below 1000Hz.

The PH-2380 may be used with the following P.audio professional compression drivers. ( or any industry standard compatible driver )

- BM-D750
- PreNeo-750N



## Specifications

Nominal Coverage Angle ( H° X V°) - 6 dB.	90° x 40°
Cut Off Frequency ( Hz.)	400 Hz
Throat Diameter	50mm. (2")
Mounting Type	BOLT ON
Construction	Injected Polymer A.B.S.with glass fiber filled Black Polycarbonate

### MOUNTING DIMENSIONS :

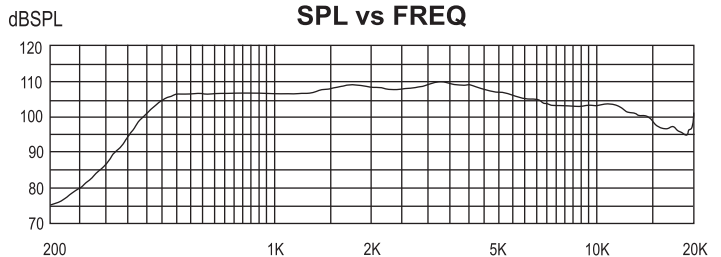
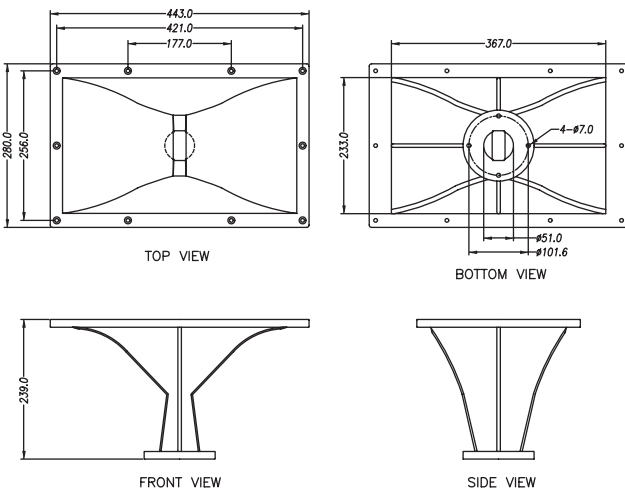
Rear Height :	230mm (9.05")
Rear Width :	365mm (14.31")

### OVERALL DIMENSIONS :

Mount Height :	280mm (11.02")
Mount Width :	445mm (17.51")
Length :	239mm (9.40")

### BAFFLE CUTOUT DIMENSIONS :

Height :	235mm (9.25")
Width :	375mm (14.76")
Net Weight :	2.0kg (4.4 lbs)
Shipping Weight :	2.8kg (6.1 lbs)
Packing Dimension :	300mm x 350mm x 260mm 11.81" x 13.77" x 10.23"



### Response of horn with PreNeo-750N

19/4 Moo 2 T.Bangkratuk A. Samparn Nakornpathom 73210 Thailand  
 Tel: +66-2-441-6600 Auto 30 Lines  
 e-mail: info@paudiothailand.com  
 Web site: www.paudiothailand.com  
 All rights reserved by P.Audio System Co., Ltd. 2007

