

Ferrite Magnet Die-cast Chassis Driver



Features

- 3.9" Large Format Voice Coil
- 4000 Watts Peak Power Handling
- Integrated Demodulation Rings
- Double Spider Design
- Ferrite Magnetics
- Precision Circular Copper Wire
- Die Cast Aluminum Chassis

Applications

The P.Audio P150/2228 is a 15-inch (381mm) diameter transducer designed for use in professional sound system applications. The P150/2228 is optimized for use in two-way and three-way system designs where a combination of accurate bass response and excellent vocal fundamental response is specified. The Pro Series P150/2228 uses a ferrite-based permanent magnetic system coupled to a rigid die-cast aluminum chassis. The rated bandwidth is 40Hz to 2000Hz. This bandwidth is ideal for two-way system designs where the high frequency response is produced by a high efficiency horn loaded compression driver.

The P150/2228 has been designed to produce an excellent efficiency bandwidth product that combines both great low frequency response with high sound pressure level capability. Like all transducers in the Pro Series, the P150/2228 uses a large format permanent magnet system and an aluminum edge wound rectangular voice coil to produce both optimum efficiency and power handling. The large voice coil diameter 3.9 inch (99.3mm) provided a large cross sectional thermal heat sink that both produces high reliability and reduced power compression. This reliability is coupled with a newly developed cone material that substantially improves mid band vocal damping and time domain response.

The P150/2228 is an excellent choice for two-way and three-way direct radiator system designs and is ideal for both touring and fixed install public address system applications. Because the P150/2228 is both efficient and offers good low frequency response this design is ideal for full range DJ and dance club system as well.

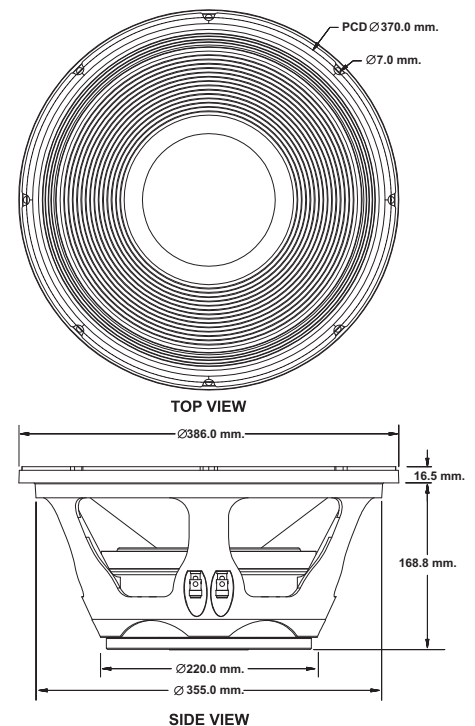
Specifications

General Specifications

Nominal diameter.....	381 mm/15 in
Power rating.....	1000 W(AES)
Nominal impedance.....	8Ω
Sensitivity.....	96 dB
Frequency range.....	40-2000 Hz
Chassis type.....	Cast aluminum
Magnet type.....	Ferrite
Magnet weight.....	3.6 kg/127.0 oz
Voice coil diameter.....	99.3 mm/3.9 in
Coil material.....	SV-W
Former material.....	Glass fiber
Cone material.....	Paper
Surround material.....	Cloth
Suspension.....	Double
X-max.....	3.9 mm/0.15 in
Gap depth.....	12.0 mm/0.47 in
Voice coil winding width.....	19.9 mm/0.78 in
Net Weight.....	13.0 kg/28.7 lb
Packing Dimension WxDxH.....	415 x 415 x 230 mm
Shipping Weight.....	14.4 kg/31.7 lb

Small Signal Parameters

Re.....	5.7Ω
Fs.....	47 Hz
Mms.....	117.87 g/4.0 oz
Mmd.....	104.13 g/3.5 oz
Qms.....	10.15
Qes.....	0.33
Qts.....	0.32
Vas.....	96.12 lt/3.39 ft³
Bl.....	24.5 Tm
Cms.....	1.0e-04 m/N
Rms.....	3.41 Ns/m
Le (at 1kHz).....	0.94 mH
Sd.....	830 cm²



Frequency Response and Impedance Curves

