



PRODUCT SPECIFICATION SHEET

Woofer / Co-Axial

Model Name: _____ **G15-400M**

General Specifications

Type	<input type="checkbox"/>	Co-Axial	<input checked="" type="checkbox"/>	Woofer
Nominal Diameter	15	inch	381.0	mm
Rated Impedance	8	Ω		
Power Handling Capacity	400	W(AES)		
Operating Bandwidth (± 10 dB)	45-3k	Hz		
Sensitivity @ 1W 1M	97	dB		
Effective Piston Diameter	331.0	mm	13.0	inch
Voice Coil Diameter	76.2	mm	3.0	inch

Physical Diameter

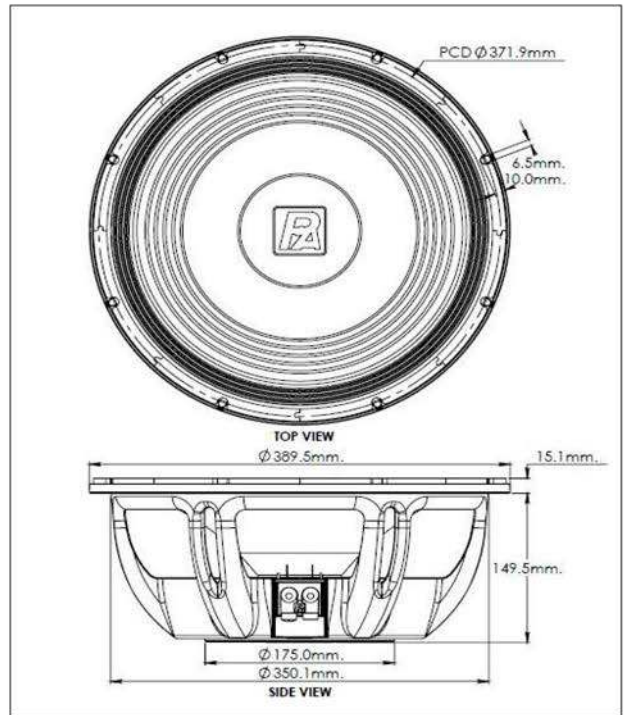
Overall Diameter	389.5	mm	15.3	inch
Baffle Cutout Diameter	350.1	mm	13.8	inch
Mouting Hole Diameter	371.9	mm	14.6	inch
Bolt Circle Diameter	8 x ϕ 6.5 mm			
Depth	149.5	mm	5.9	inch

Physical Information

Magnet	Type	Ferrite		
	Size (mm)	190	82	20
	Weight	81.4 oz.		
Basket	Material	Aluminium		
	Color	Black		
Voice Coil	Wire	CCA-W		
	Former	GSV		
Cone		Paper		
Surround		Cloth		
Dust Cap		Paper		
Spider		Cotton		
Gasket		EVA		
Unit Weight	(kg)	7.85		
Packing Quantity		1		
size	(mm)	415	415	200
	(inch)	16.3	16.3	7.9
	cu.ft	1.22	Gross Weight	8.90 kg

Thiele - Small Parameters

Resonance Frequency	F_s	48	Hz
DC Resistance	R_e	5.4	Ω
Mechanical Q Factor	Q_{ms}	7.65	
Electrical Q Factor	Q_{es}	0.52	
Total Q Factor	Q_{ts}	0.49	
BL Factor	BL	16.17	T x m
Moving mass including surround	M_{ms}	83.92	g
Moving mass excluding surround	M_{md}	69.53	g
Equivalent Cas air load	V_{as}	134.87	liters
Effective piston area	S_d	855.3	cm ²
Voice - coil inductance @ 1KHz	L_e	0.49	mH
Half-space efficiency	Eff	2.78	%
Mechanical compliance	C_{ms}	1.3 e-04	m/N
Loss resistance of suspension	R_{ms}	3.33	Ns/m
Voice Coil Over-Hung	X_{max}	3.9	mm
Airgap Height	H_{ag}	9.0	mm
Voice coil Height	H_{vc}	16.8	mm



High Frequency

Diaphragm		-
Voice coil size		-
Voice coil material		-

Power Test HI Pot Other

Apply Voltage	-	V	-	hour
High pass / Low pass	-	Hz	-	Hz

Frequency Response

