



Specifications

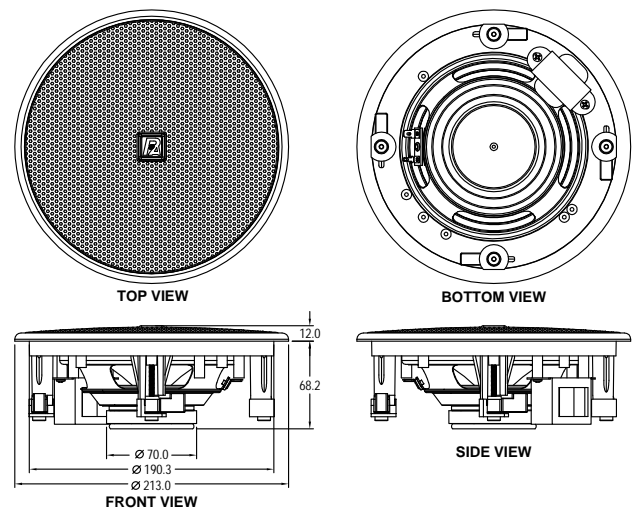
Speaker Type	Full-range
LF Component	6"(152 mm) Cone
HF Component	
Power Rating	15 Watts
Sensitivity (1W@1M)	87 dB
Frequency Response	80Hz - 18kHz
Transformer Input Rated	2.5W / 5W / 10W
Dimension (WxD)	Ø 8.39"(213 mm) x 3.16"(80.2 mm)
Baffle Cutout Dimension	Ø 7.6"(193 mm)
Net Weight	0.97 kg / 2.1 lbs
Shipping Weight (2 pcs)	2.6 kg / 5.7 lbs

Applications

The P Audio PCS-6FNT incorporates newly developed grill and bezel designs that allow these products to integrate into a wide variety of architectural spaces.

The P Audio PCS-6FNT is a nominal 6 inch (152mm) diameter full range ceiling loudspeaker system. The overall outside diameter of the system is 8.39 inches (213mm). The PCS-6FNT offers a full 15 watts of program power handling, making the system ideal for medium height ceiling installations. The unit is equipped with a wide bandwidth line matching transformer for large scale distributed installations. The power taps are 10 watts, 5 watts, and 2.5 watts. The PCS-6FNT exhibits wide bandwidth and has a rated frequency response of 80Hz to 18kHz.

The PCS-6FNT was designed for background music systems as well as vocal range reproduction. The PCS-6FNT has an integral mounting system that will accommodate a variety of ceiling materials and dimensions.



Frequency Response

