

Applications

CS-6FT

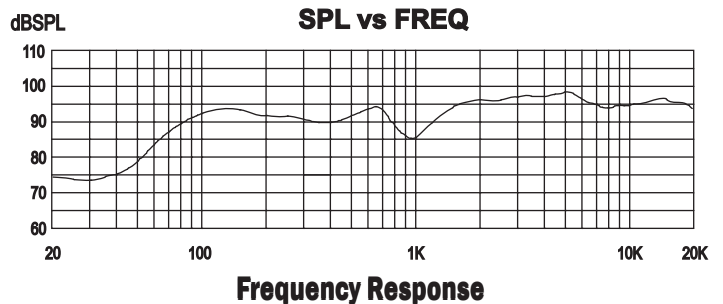
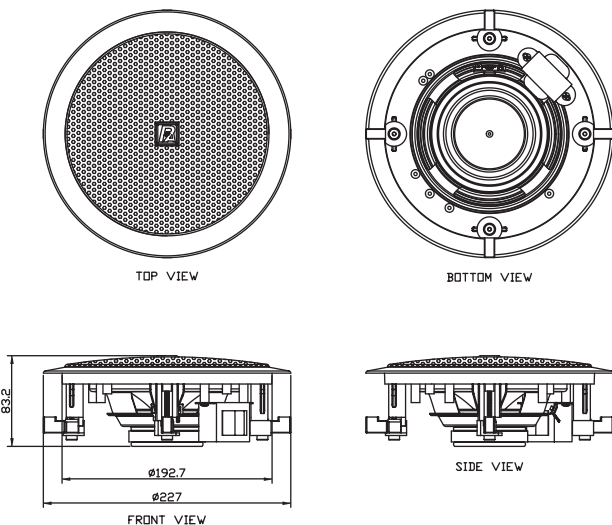
The P Audio CS-6FT is a nominal 6 inch (153mm) diameter full range ceiling loudspeaker system. The overall outside diameter of the system is 8.97 inches (227mm). The CS-6FT offers a full 15 watts of program power handling, making the system ideal for medium height ceiling installations. The unit is equipped with a wide bandwidth line matching transformer for large scale distributed installations. The power taps are 10 watts, 5 watts, and 2.5 watts. The CS-6FT exhibits wide bandwidth and has a rated frequency response of 80Hz to 20kHz.

The CS-6FT was designed for background music systems as well as vocal range reproduction. The CS-6FT has an integral mounting system that will accommodate a variety of ceiling materials and dimensions.



Specifications

Type	Ceiling Speaker With Transformer
Power Capacity	15 Watt
Sensitivity (1W@1M)	90 dB
Frequency Response	80Hz - 20kHz
Dimension (W x D)	Ø 227mm(8.94") x 83mm(3.27")
Speaker	6" (153mm) Cone Speaker
Transformer Input Rated	2.5 W , 5W , 10W
Baffle Cutout Dimension	Ø 196mm (7.72")
Net Weight	0.97 kg (2.13 lbs)
Shipping Weight (2 pcs)	2.62 kg (5.76 lbs)



19/4 Moo 2 T.Bangkratuk A. Samparn Nakornpathom 73210 Thailand
 Tel: +66-2-441-6600 Auto 30 Lines
 e-mail: info@paudiothailand.com
 Web site: www.paudiothailand.com
 All rights reserved by P.Audio System Co., Ltd. 2007

