



Product Specification

General Specifications

Type	Woofer			
Nominal Diameter	12	inch	305	mm
Rated Impedance	8	Ω		
Power Handling Capacity	400	W(AES)		
Operating Bandwidth (± 10 dB)	50-4k	Hz		
Sensitivity @ 1W 1M	95	dB		
Effective Piston Diameter	263	mm	10.4	inch
Voice Coil Diameter	76.2	mm	3	inch

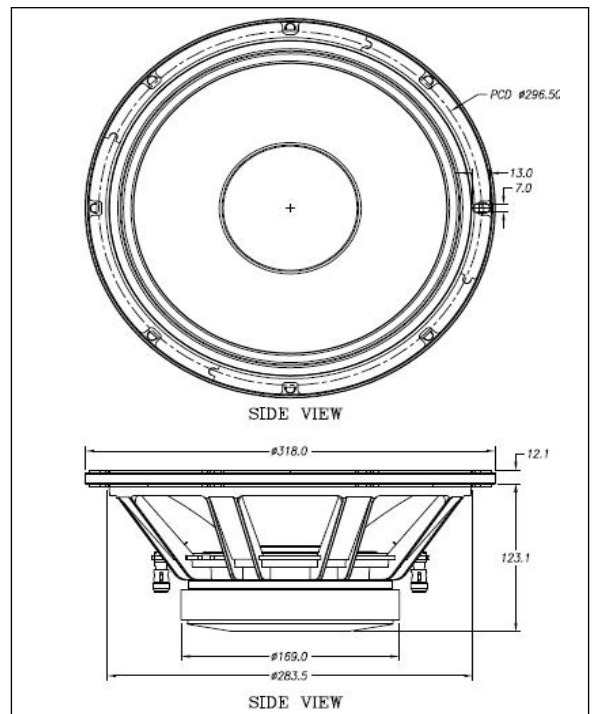
Code Number	F01011215801SNT		
Model Name	C12-400F BLACK 8 OHM		
Description	12" Ferrite Woofer		
Customer Name	SNT		
Tester	Kanayut.s	Date	21-Jan-13
Engineer	Eakkalek.s	Date	22-Jan-13
Approved	Dom P.	Date	23-Jan-13

Physical Information

Magnet	Type	Ferrite		
	Size (mm)	169	86	25
	Weight	73.3 oz.		
Basket	Material	Aluminum		
	Color	Black		
Voice Coil	Wire	AL-W (inside/outside)		
	Former	GSV		
Cone		Paper		
Surround		Cloth		
Dust Cap		Paper		
Spider		Cotton		
Gasket		EVA		
Unit Weight	(kg)	5.8		
Packing Quantity		1		
size	(mm)	355	355	180
	(inch)	14.0	14.0	7.1
	cu.ft	0.80	Gross Weight	6.5 kg

Physical Dimensions

Overall Diameter	318	mm	12.5	inch
Baffle Cutout Diameter	283.5	mm	11.2	inch
Mouting Hole Diameter	296.5	mm	11.7	inch
Bolt Circle Diameter	8 x ϕ 7.0 mm			
Depth	123.1	mm	4.8	inch



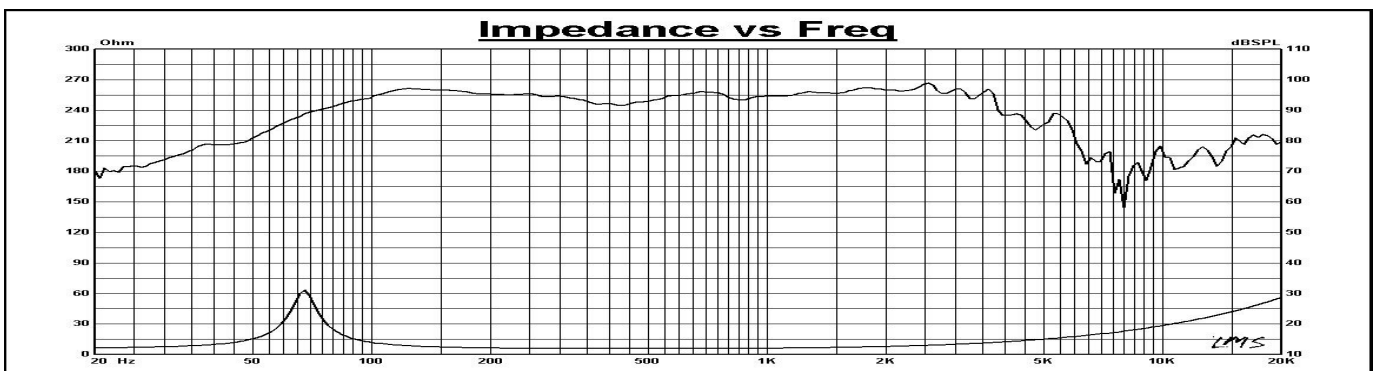
Thiele - Small Parameters

Resonance Frequency	F_s	67	Hz
DC Resistance	R_e	5.7	Ω
Mechanical Q Factor	Q_{ms}	7.15	
Electrical Q Factor	Q_{es}	0.70	
Total Q Factor	Q_{ts}	0.64	
BL Factor	BL	13.26	T x m
Moving mass including surround	M_{ms}	51.56	g
Moving mass excluding surround	M_{md}	44.53	g
Equivalent Cas air load	V_{as}	43.16	liters
Effective piston area	S_d	530.9	cm ²
Voice - coil inductance @ 1KHz	L_e	0.44	mH
Half-space efficiency	Eff	1.81	%
Mechanical compliance	C_{ms}	1.1 e-04	m/N
Loss resistance of suspension	R_{ms}	3.05	Ns/m
Voice Coil Over-Hung	X_{max}	4.75	mm
Airgap Height	H_{ag}	8	mm
Voice coil Height	H_{vc}	17.5	mm

Power Test

Apply Voltage	-	V	Duration	-	hour
High pass	-	Hz	Low pass	-	Hz

Frequency Response



Revision	A
----------	---