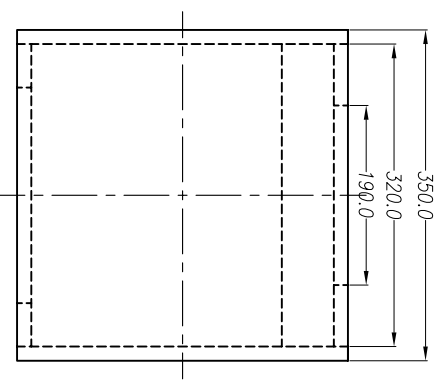
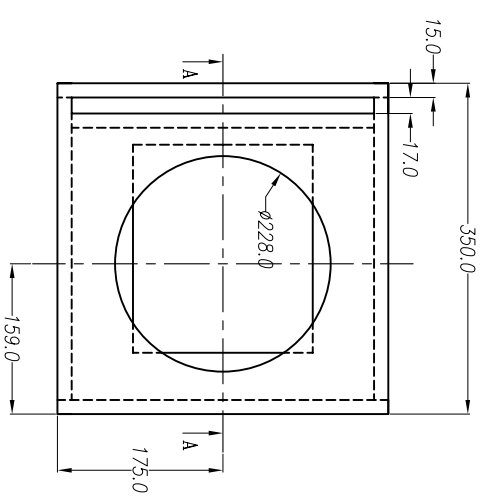


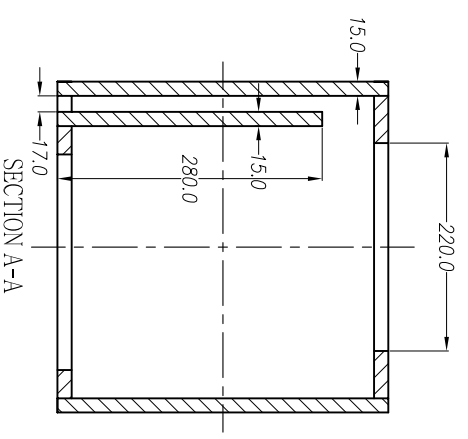
TOP VIEW



SIZE VIEW




FRONT VIEW



SECTION A-A

REVISIONS		NAME	APPROVED
REV.	DATE	DESCRIPTION	
A	18/09/06	DRAFT	BOONLIR

NOTES:  
 1. ROHS COMPLIANT.  
 2. PURCHASE ONLY FROM:  
 3. MATERIAL: WOOD  
 4. FINISH: TBD.  
 5. DIMENSIONS: DIMENSIONS ARE IN MILLIMETERS.  
 6. CONTROL CHARACTERISTICS (n).  
 7. TOLERANCES: UNLESS OTHERWISE SPECIFIED.  
 DECIMALS ANGULAR  
 X.X ±0.3 ±1°  
 X.XX±0.09

THIRD ANGLE PROJECTION	ORIGINAL MODEL	ENGINEER	DATE	 PAUDIO SYSTEM CO., LTD. BANGKOK, THAILAND
UNLESS OTHERWISE SPECIFIED INTERPRET THIS DRAWING PER ANSI Y14.5M-1982		PE	18/09/06	
NOTICE PAUDIO PROPRIETARY RIGHTS ARE INCLUDED HEREIN. THIS INFORMATION MAY NOT BE COPIED, TRANSFERRED OR DISCLOSED EXCEPT AS AUTHORIZED BY PAUDIO SYSTEM CO.,LTD.		PROD	DATE	DESCRIPTION SUBWOOFER
		APPROVED	SCALE	
			1:8	SIZE
				A4
				CLASS
				PT
				DRAWING NO.
				REV.
				A

#TEMPORARY SPEC