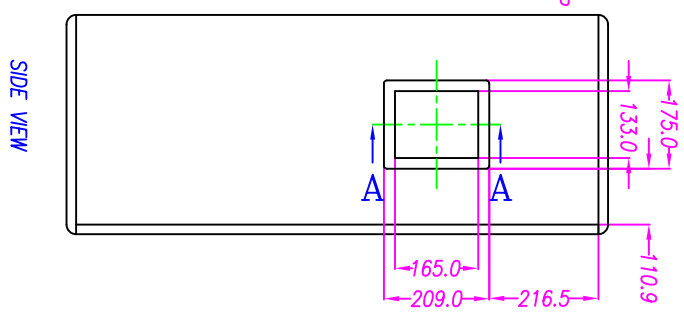
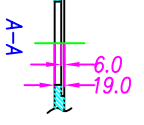


- NOTES:
1. MATERIAL: PLYWOOD
  2. FINISH:
  3. DIMENSIONS: DIMENSIONS ARE IN MILLIMETERS.
  4. CONTROL CHARACTERISTICS (■):
  5. TOLERANCES: UNLESS OTHERWISE SPECIFIED.
    - DECIMALS: X.X ±0.3
    - ANGULAR: ±1°
    - X.XX ±0.09



THIRD ANGLE PROJECTION

ENGINEER

DATE

RAJINDRA CHAVHAN

NO.	REV.	DATE	BY	CHKD.	DESCRIPTION
A		25/07/13			DRAFT
B		11/08/13			CHANGES DIMENSIONS

NO.	REV.	DATE	BY	CHKD.	DESCRIPTION