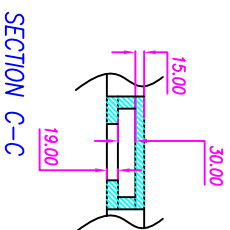
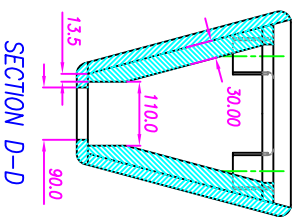
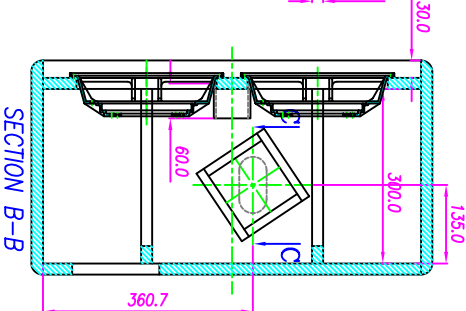
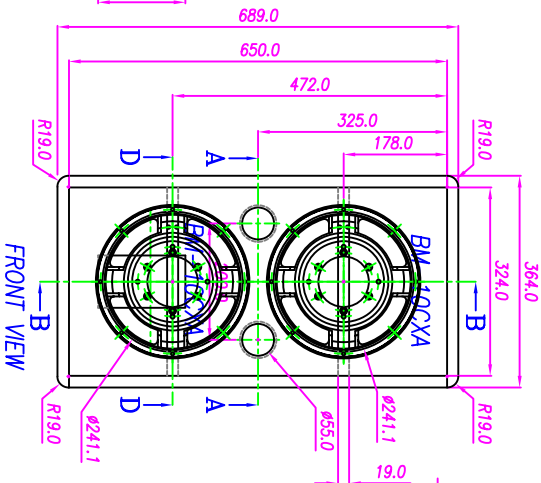
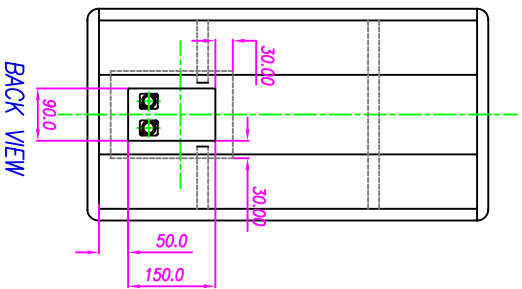
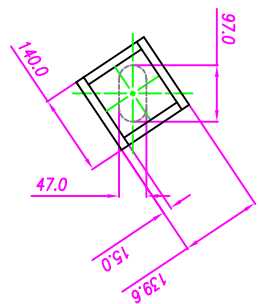
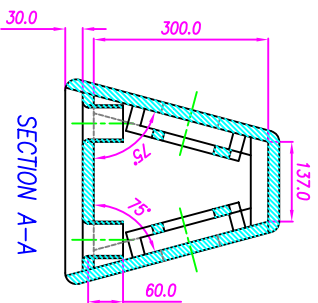


44.94L



44.94L



NOTES:

1. MATERIAL:
2. FINISH:
3. DIMENSIONS: DIMENSIONS ARE IN MILLIMETERS.
4. CONTROL CHARACTERISTICS (■):  
DECIMALS            ANGULAR  
X.X ±0.3  
X.XX±0.09
5. TOLERANCES: UNLESS OTHERWISE SPECIFIED.

REV	DATE	DESCRIPTION	NAME
A	05/09/03	DRAW	NK

THIRD ANGLE PROJECTION		ENGINEER	DATE	 PAUDIO SYSTEM CO.,LTD. BANGKOK, THAILAND
			05/09/03	
UNLESS OTHERWISE SPECIFIED INTERPRET THIS DRAWING PER ANSI Y14.5M-1982		O.C.	DATE	DESCRIPTION
NOTE PAUDIO PROPRIETARY RIGHTS ARE INCLUDED HEREIN. THIS INFORMATION MAY NOT BE COPIED, TRANSMITTED OR DISCLOSED EXCEPT AS		APPROVED	05/09/03	
SCALE	SIZE	CLASS	DRAWING NO.	REV.
1:1	A3	DT	1199 CVA	A