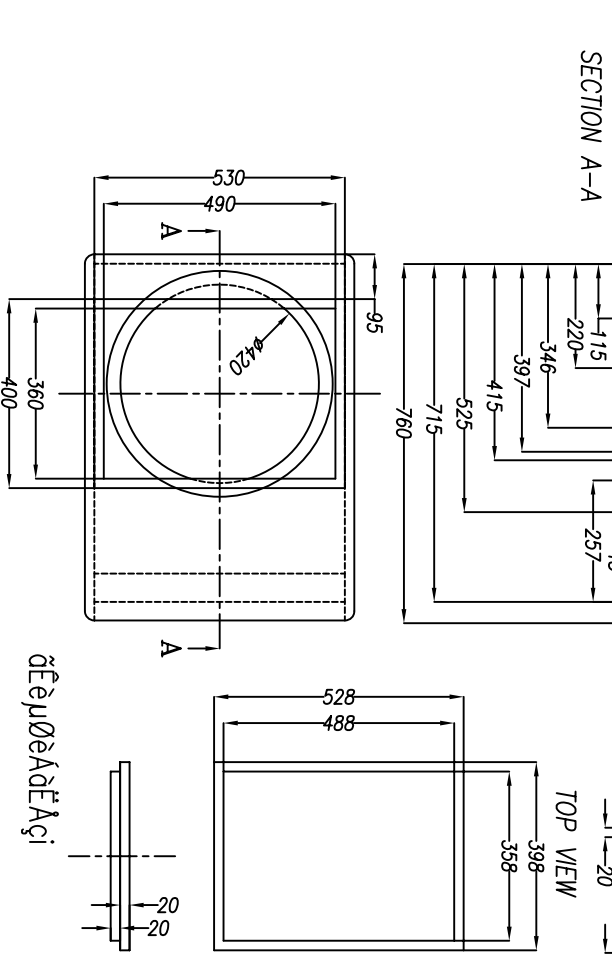
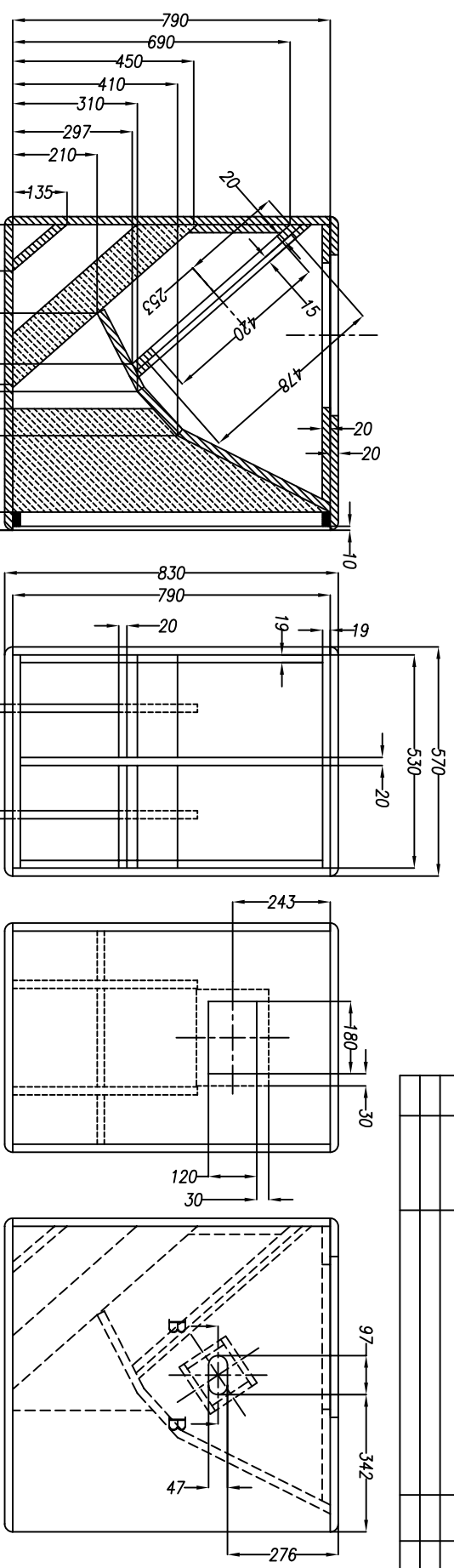
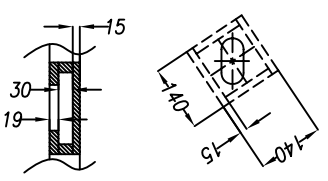


REV.	DATE	DESCRIPTION	NAME	APPROVED
A	16/08/03	DRAFT	MANIKORN	



PAUDIO SYSTEM CO., LTD.

SECTION B-B



NOTES:

1. MATERIAL: PLYWOOD.
2. FINISH:
3. DIMENSIONS: DIMENSIONS ARE IN MILLIMETERS.
4. CONTROL CHARACTERISTICS (■).
5. TOLERANCES: UNLESS OTHERWISE SPECIFIED, DECIMALS ANGULAR ±1°

ENGINEER	DATE	DESCRIPTION
	16/08/03	PAUDIO SYSTEM CO., LTD. BANGKOK, THAILAND

THIRD ANGLE PROJECTION



UNLESS OTHERWISE SPECIFIED INTERPRET THIS DRAWING PER ANSI Y14.5M-1982

NOTE: PAUDIO PROPRIETARY RIGHTS ARE INCLUDED HEREIN. THIS INFORMATION MAY NOT BE COPIED, TRANSMITTED OR DISCLOSED EXCEPT AS AUTHORIZED BY PAUDIO SYSTEM CO., LTD.

Q.C.	DATE	SCALE	SIZE	CLASS	DRAWING NO.	REV.
	16/08/03	1:10	A3	PT	42046009	A